

## WARRANTY INFORMATION

During the applicable warranty period, any Total Protection Solutions™ surge protector device which fails due to a defect in materials, workmanship or any electrical anomaly including lightning, shall be repaired or replaced, at Joslyn's option without charge. In the event of a return the device must be shipped FOB Joslyn place of business within the applicable warranty period. The applicable warranty period for this Joslyn surge protection device is outlined below in the Warranty Period section. The warranty period for any repaired devices or replacement devices will be only the remaining portion of the original limited warranty.

A Return Material Authorization (RMA) number must be obtained from the Company's Customer Service department before returning any products.

The Company shall have no liability under this warranty for problems or defects directly or indirectly caused by misuse of the Product, alteration of the Product (including removal of any warning labels), accidents, improper installation, application, operation, or improper repair of the Product.

THIS WARRANTY REPRESENTS THE ENTIRE WARRANTY OF THE COMPANY. ALL OTHER WARRANTIES EXPRESS OR IMPLIED, ORAL OR WRITTEN, INCLUDING, BUT NOT LIMITED TO, THE WARRANTIES OF MERCHANTABILITY AND FITNESS FOR A PARTICULAR PURPOSE ARE HEREBY DISCLAIMED.

The liability of the Company, at its sole option, under this warranty is expressly limited to the replacement or repair of the defective part thereof. IN NO EVENT SHALL THE COMPANY BE LIABLE OR RESPONSIBLE FOR SPECIAL, INCIDENTAL, OR CONSEQUENTIAL DAMAGES OF ANY KIND OR CHARACTER, NOR SHALL ITS LIABILITY EVER EXCEED THE PURCHASE PRICE PAID TO JOSLYN FOR SUCH DEFECTIVE PRODUCT.

This warranty is not transferable and may only be enforced by the original purchaser. Claims under this warranty must be submitted to Joslyn within thirty (30) days of discovery of any suspected product defect.

### **Warranty Period**

LoadTrack

15 Years from original date of purchase

## SAVE THESE INSTRUCTIONS

---

**NOTE:** If devices are received damaged, notify the shipping company immediately. Retain all containers and packing materials for inspection.

---



5900 Eastport Boulevard, VA 23231-4453 USA  
TEL: 804.236.3300 800.647.1911  
www.tpsjoslyn.com

**Total Protection  
Solutions** 

**LoadTrack**  
Surge Protective Devices

## FOR SERIES/PARALLEL



## APPLICATIONS

## INSTALLATION INSTRUCTIONS AND WARRANTY INFORMATION

## IMPORTANT SAFETY INSTRUCTIONS

**NOTICE:** All instructions and measurements must be completed by a qualified electrician in accordance with the National Electric Code and/or other applicable state and local codes. The U.S. National Electric Code and/or applicable state/local requirements supersede these instructions.

### **CAUTION: HAZARDOUS VOLTAGES PRESENT**

Improper installation or misapplication of these devices may result in serious injury to the installer and/or damage to electrical system(s) or related equipment. Read and understand all instructions before commencing with the installation. Protective eyewear should be worn during the installation process.

#### **These instructions cover the following LoadTrack Model Numbers:**

TK-LT24-15A-DIN (24VOLT, 15AMP)	TK-LT250-15A (250VOLT, 15AMP)
TK-LT48-15A-DIN (48VOLT, 15AMP)	TK-LTE120-30A-RJ (120VOLT, 30AMP) Telco
TK-LT120-15A-DIN (120VOLT, 15AMP)	TK-LTE250-30A-RJ (250VOLT, 30AMP) Telco
TK-LT250-15A-DIN (250VOLT, 15AMP)	TK-LTE120-30A (120VOLT, 30AMP)
TK-LT24-15A (24VOLT, 15AMP)	TK-LTE250-30A (250VOLT, 30AMP)
TK-LT48-15A (48VOLT, 15AMP)	TK-LTE120-60A (120VOLT, 60AMP)
TK-LT120-15A (120VOLT, 15AMP)	TK-LTE250-60A (250VOLT, 60AMP)

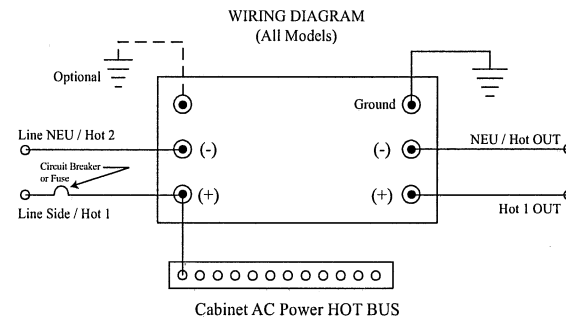
**Units must be connected to the electrical service with appropriate interrupt devices as follows:**

**TK-LT & TK-LT-DIN 15 Amp units (AC or DC Service)** Use a 15Amp Class T fuse rated at 300VAC.

**For TK-LTE 30 and 60 Amp units (AC or DC Service)** use a 30 or 60Amp Class T fuse respectively, rated at 300VAC.

## INSTALLATION

- 1) This document provides detailed information on how to install and operate the **LoadTrack Series** of Surge Protective Devices (SPDs).
- 2) Units should be installed per the information and illustrations provided herein.
- 3) The **LoadTrack Series** of Surge Protective Devices are installed/connected in either series or parallel with the line and the equipment to be protected.
- 4) Identified or indicated Leads/Wires must be connected exactly with respect to the power feeding/supplying the SPD and equipment. Failure to do so may result in damage to the SPD, the equipment/system or pose a danger to personnel.
- 5) Incorrect installation may significantly impair the performance of the SPD. It is particularly important that all installation procedures and guidelines be followed exactly.
- 6) Before starting any installation procedures, verify service voltages (AC or DC) with a volt meter to ensure that the correct LoadTrack model has been selected for the supply voltage.
- 7) **DO NOT INSTALL THE SPD IF MEASURED VOLTAGE EXCEEDS UNIT RATINGS.**
- 8) The SPD **MUST BE** mounted in an enclosure to assure personnel safety from exposed terminals.
- 9) **REMOVE POWER FROM ELECTRICAL SYSTEM PRIOR TO INSTALLATION.**



NOTE: If two (2) hots are used a second interrupt device is required.

- 10) The SPD should be positioned as the last device in the circuit prior to protected equipment.
- 11) The SPD contains no Line/Load sensitive components and it can be installed in any orientation.
- 12) Mechanically mount the SPD utilizing the mounting tabs or attach to din rail.
- 13) For Series (AC or DC) Applications
  - a) Connect "**LINE**" Side:
    - \* System Ground to the terminal labeled "GND".
    - \* Neutral (for AC) or Negative (for DC) wire to the terminal labeled "NEUT/Line 2 (-)".
    - \* HOT (for AC) or Positive (for DC) wire to the terminal labeled "LINE 1 (+)".
  - b) Connect "**LOAD**" Side:
    - \* System Ground to the terminal labeled "**GND**".
    - \* Neutral (for AC) or Negative (for DC) wire to the terminal labeled "NEUT/Line 2 (-)".
    - \* HOT (for AC) or Positive (for DC) wire to the terminal labeled "LINE 1 (+)".
- 14) For parallel (AC or DC) Applications, keeping leads as short as possible -
 

Connect "**LINE**" Side:

  - \* System Ground, to the terminal labeled "**GND**".
  - \* Neutral (for AC) or Negative (for DC) wire to the terminal labeled "NEUT/Line 2 (-)".
  - \* HOT (for AC) or Positive (for DC) wire to the terminal labeled "LINE 1 (+)".
- 15) **ENSURE THAT ALL CONNECTIONS ARE CORRECT BEFORE ENERGIZING.**
- 16) **Units with RJ14 communication ports:**
  - a) insert incoming line into jack labeled "**LINE**"
  - b) insert line connected to the protected load/equipment/system into jack labeled "**EQUIP**"
- 17) **Units with Alarm Contacts:** Two (2) sets of contacts are available - 1 labeled N/O for normally open and 1 labeled N/C for closed (deenergized). Contacts are rated at 0.5Amps at 125Vac or 1.0Amps at 30Vdc. These contacts are for use with remote alarm systems.
- 18) Apply power (energize). LED indicator should illuminate. If light fails to illuminate contact supplier.
- 19) Keep this **MANUAL** in a safe dry place for future reference.

## WARNING

**ANY ALTERATIONS, TAMPERING, MISUSE OR UNAUTHORIZED REPAIRS OF THIS PRODUCT WILL VOID ITS ORIGINAL FACTORY WARRANTY.**