

## SYSTEM FEATURES



- Protects AC and DC critical dedicated control loads against the harmful effects of lightning strikes and internally generated electrical transients
- Ideal for protecting the OEM & systems integration controls and other micro-processor-based loads
- Includes pre-wired pigtail conductors to streamline installation
- Fail-safe design
- Component Level Fusing (CLF) provides over-current protection
- Small, compact footprint - makes installation flexible
- 10-Year Unlimited Free Replacement Warranty

## PRODUCT SPECIFICATIONS

### GENERAL SPECIFICATIONS

**Maximum Rated Surge Current:** 25kA per mode  
**Application:** ANSI/IEEE C62.41 Location C, B & A. Ideal for distribution panels, branch panels and OEM applications  
**Design:** Ultra compact, fail-safe design with component-level fusing  
**Warranty:** 10-Year Unlimited Free Replacement

### ELECTRICAL SPECIFICATIONS

**Modes of Protection:** L-G & L-L  
**Input Power Frequency:** 47-64 Hz  
**Response Time:** < 1 nanosecond  
**Standard Monitoring:** Status indicator lights (one per mode)

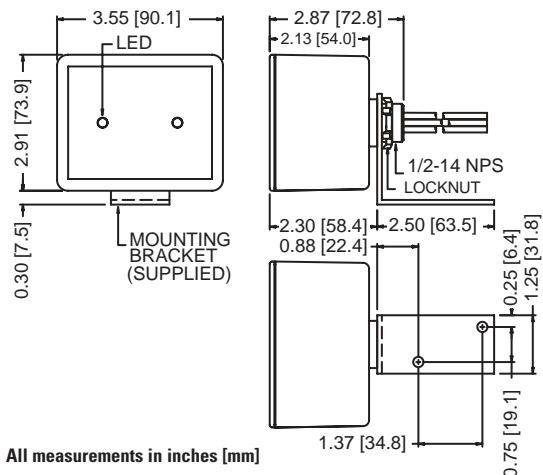
### MECHANICAL SPECIFICATIONS

**Dimensions:** 3.55"H x 2.91"W x 2.13"D  
**Enclosure:** High-impact non-metallic weatherproof  
**Connection:** Pre-wired with 18 inches of #14 AWG conductor  
**Mounting:** Comes with a threaded 1/2" hub for easy knockout mounting or L-shaped bracket for stand-alone wall mounting  
**Operating Environment:** -40° C to 70° C (-40° F to 160° F); 5% to 95% non-condensing humidity  
**Weight:** 1.50 lbs (0.70 kg)

### AVAILABLE CONFIGURATIONS

Model Number	System Voltage	System Configuration	Protection Mode	DC MCOV	MLV Data
					Impulse Wave 6kV, 500A 90° Phs Angle
TK-PK025D-24VDC	25 VAC	1-Phase	L-G	32V	90V
	30 VDC	2-wire+ground	L-L	32V	90V
TK-PK025D-48VDC	45 VAC	1-Phase	L-G	65V	130V
	60 VDC	2-wire+ground	L-L	65V	130V
TK-PK025D-90VDC	65 VAC	1-Phase	L-G	100V	180V
	90 VDC	2-wire+ground	L-L	100V	180V
TK-PK025D-125VDC	110 VAC	1-Phase	L-G	170V	290V
	150 VDC	2-wire+ground	L-L	170V	290V

All tests performed with 6" lead length, positive polarity.  
 All voltages are peak values (±10%) measured from the zero reference.  
 Specifications subject to change without notice, see web site, [www.TPSSurge.com](http://www.TPSSurge.com) for latest revisions.



All measurements in inches [mm]

